

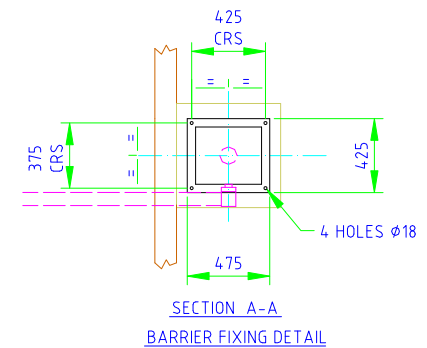
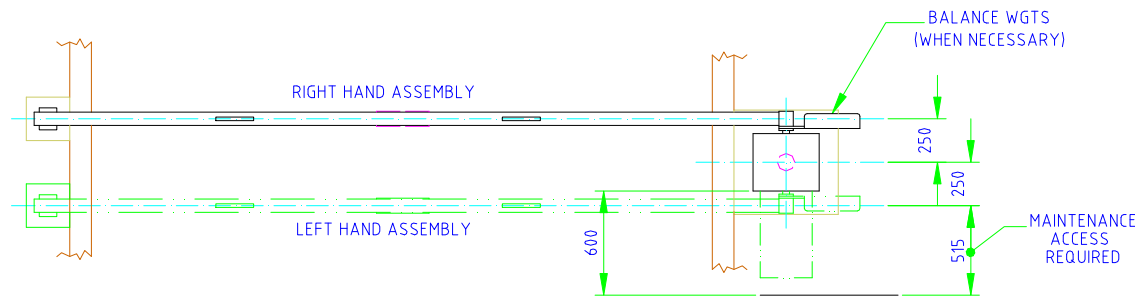
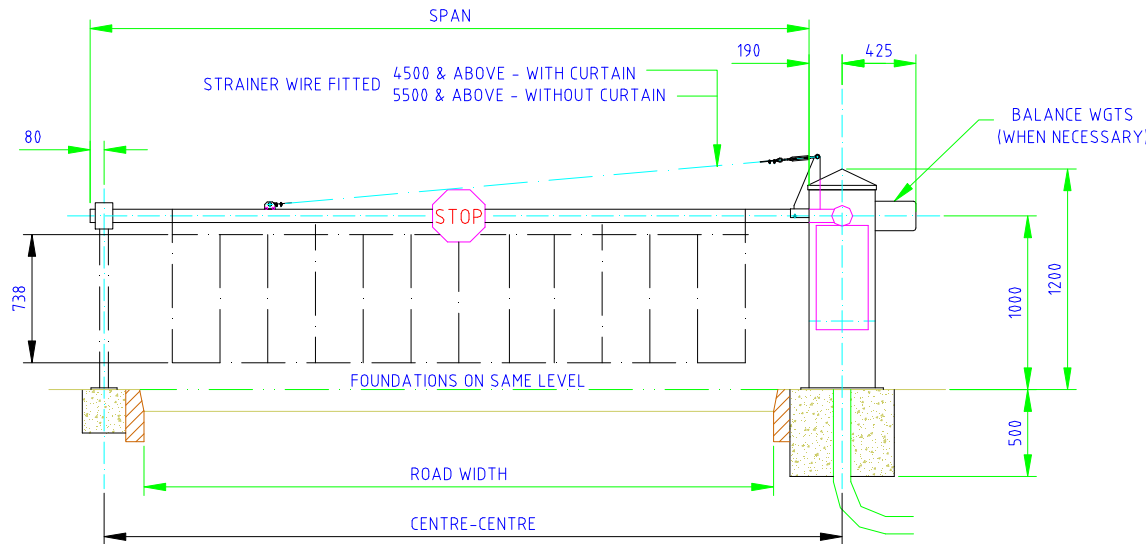
SPAN - SEE CONTRACT SPEC
 HANDING - SEE CONTRACT SPEC
 SUPPLY - SEE CONTRACT SPEC

OPTIONAL EXTRAS:
 BOOM LIGHTS
 PLAIN STOP SIGN
 ILLUM. STOP SIGN
 PVC CURTAIN (UP TO 4500mm)
 TIP SUPPORT
 LOCKABLE TIP SUPPORT

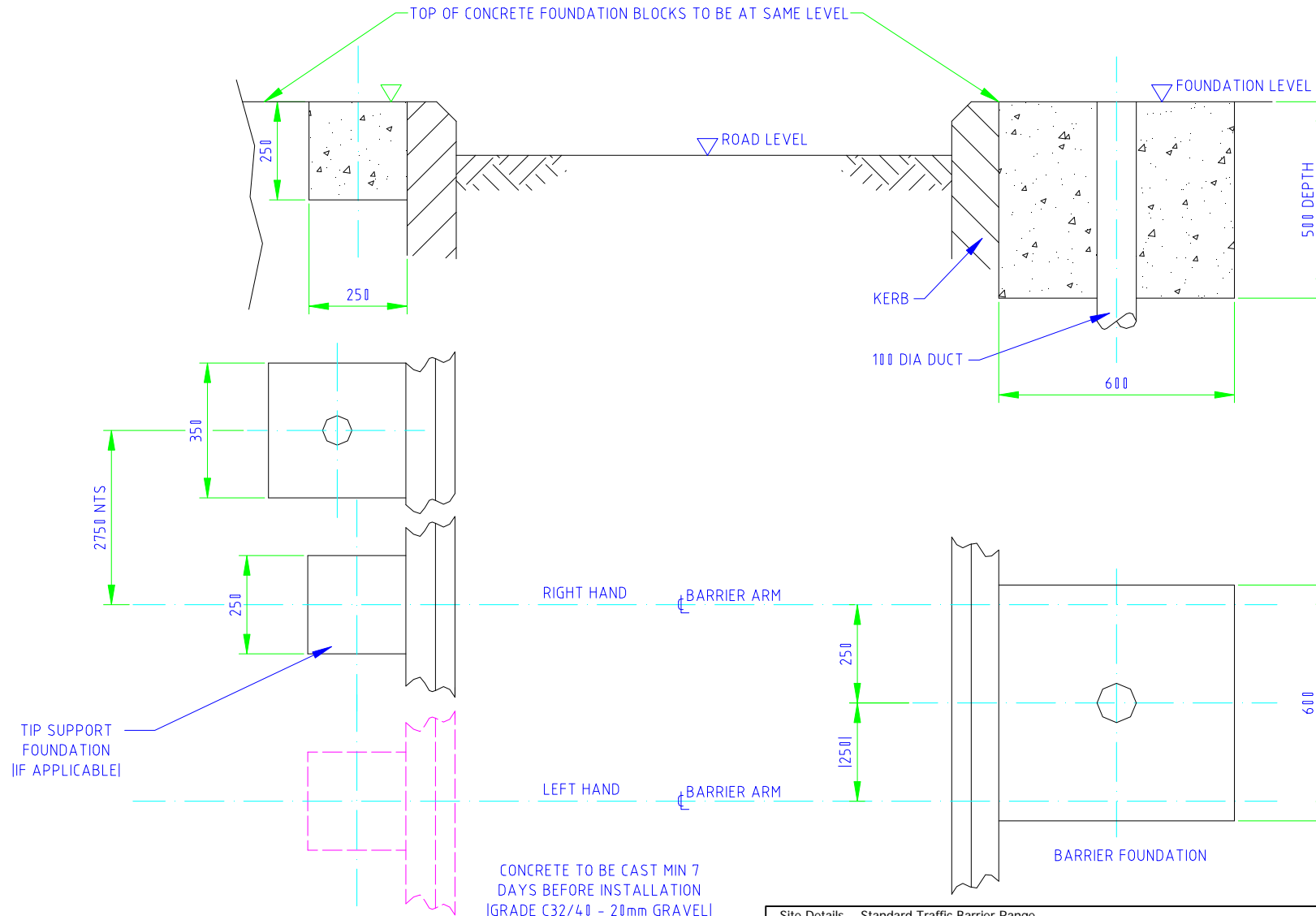
FOUNDATION DETAILS SEE DRG 102/3/10770
 LOOP DETAILS DRG 100/3/10883

TECHNICAL DATA.

PEDESTAL - 1100 x 375 x 318 SHEET STEEL
 DRIVE - ELECTRO MECHANICAL
 OPERATING TIME - 3 TO 5 SECS
 CONTROLS TO SUIT REQUIREMENTS
 MANUAL OVERRIDE AS STANDARD
 WEIGHT - 120kg BARRIER ONLY
 FIXING BY 16mm EXPANSION BOLTS



Site Details- Standard Traffic Barrier Range			
Project: N/A			
Date:	Drawn by: RD	Drawing Number: STD30471	Detailing: Barrier Layout
Issue: 1	Checked by: WF	Rev: 1.5	Classification: Copyright 2010
Rugeley Operations Centre Service Area 7, Albion Street Rugeley, Staffordshire WS15 2BY Tel 01889 579834 Fax 01889 579819			 PARAMOUNT SECURITY GROUP <i>SECURITY BY DESIGN</i>



Site Details- Standard Traffic Barrier Range			
Project: N/A			
Date:	Drawn by: RD	Drawing Number: STD30472	Detailing: Standard Barrier Foundations
Issue: 1	Checked by: WF	Rev: 1.5	Classification: Copyright 2010
Rugeley Operations Centre Service Area 7, Albion Street Rugeley, Staffordshire WS15 2BY Tel 01889 579834 Fax 01889 579819			 PARAMOUNT SECURITY GROUP <i>SECURITY BY DESIGN</i>